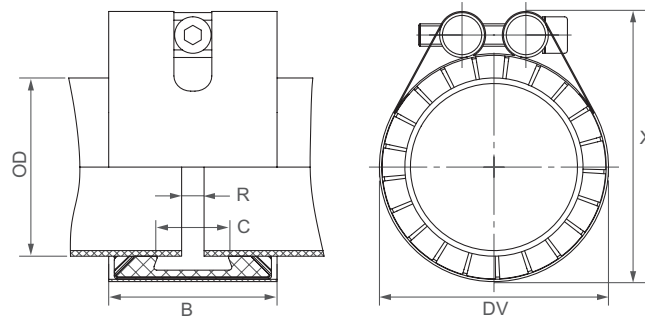


STRAUB-ECO-GRIP | \varnothing 26.9 - 168.3 mm

Components / Materials	W1	W2	W4	W5
Casing			AISI 301	
Bolts			A4 - 80	
Bars			AISI 316 L or similar	
Anchoring rings			AISI 301	
Strip insert (option)			AISI 316 L or similar	

Sealing sleeve EPDM	Temp.:	-10°C up to +40°C
	Medium:	all qualities of water, waste water, air, solids and chemical products
Sealing sleeve NBR	Temp.:	-10°C up to +40°C
	Medium:	water, gas, oil, fuel and other hydrocarbons



OD [mm]	Clamping range [mm]	PN [bar]	B [mm]	C [mm]	DV [mm]	X [mm]	R without strip insert [mm]	R with strip insert [mm]	Torque rate [Nm]	Allen head [mm]	Thread M...
26.9	26.4 - 27.4	6	45	18	41	54	5	10	10	6	8
30.0	29.5 - 30.5	6	45	18	45	58	5	10	10	6	8
33.7	33.2 - 34.2	6	45	18	48	61	5	10	10	6	8
38.0	37.5 - 38.5	6	45	18	52	65	5	10	10	6	8
42.4	41.9 - 42.9	6	45	18	56	69	5	10	12	6	8
44.5	44.0 - 45.0	6	45	18	59	72	5	10	12	6	8
48.3	47.8 - 48.8	6	45	18	62	75	5	10	15	6	8
57.0	56.4 - 57.6	6	60	26	71	84	5	10	15	6	8
58.0	57.5 - 58.5	6	60	26	73	86	5	10	15	6	8
60.3	59.7 - 60.9	6	60	26	76	89	5	10	15	6	8
63.0	62.2 - 63.8	6	60	26	86	99	5	10	15	6	8
76.1	75.3 - 76.9	6	60	26	92	105	5	10	18	6	8
78.0	77.1 - 78.8	6	60	26	95	108	5	10	18	6	8
83.0	82.1 - 83.8	6	60	26	101	114	5	10	18	6	8
88.9	88.0 - 89.8	6	60	26	108	121	5	10	18	6	8
104.0	103.0 - 105.0	6	60	26	120	133	5	10	18	6	8
108.0	106.9 - 109.1	6	60	26	124	137	5	10	18	6	8
110.0	108.9 - 111.1	6	60	26	126	139	5	10	18	6	8
114.3	113.2 - 115.4	6	60	26	130	143	5	10	18	6	8
129.0	128.0 - 130.0	6	62	26	145	162	5	10	30	6	8
133.0	131.7 - 134.3	6	62	26	149	166	5	10	30	8	10
135.0	133.7 - 136.3	6	62	26	152	169	5	10	30	8	10
139.7	138.3 - 141.1	6	62	26	156	173	5	10	30	8	10
159.0	157.4 - 160.6	6	62	26	177	194	5	10	35	8	10
160.0	158.4 - 161.6	6	62	26	179	196	5	10	35	8	10
168.3	166.6 - 170.0	6	62	26	185	202	5	10	35	8	10

INTERMEDIATE SIZES ON REQUEST

REFER TO MINIMUM WALL THICKNESS (see Technical Manual STRAUB)

Remarks:

- Follow fitting instructions
- PN = working pressure considering the application loads
Test pressure = PN x 1.5 (for example industry, water supply etc.)
- The pressure values are valid on radial rigid carbon steel pipes under static loads
- Strip inserts are optional accessories (see Technical Manual STRAUB)
- Additional dimensions, sealing sleeves and temperature ranges on request